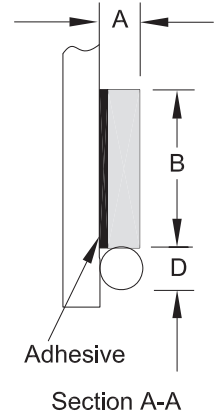


Spira's Quick-Strip gasket includes a "peel-n-stick" adhesive backing on a neoprene sponge elastomer. It's an easy-to-use, low cost solution providing low to high shielding quality as needed. The standard configuration (shown below) includes a Quick-Shield gasket or see *Options* for other materials.



See page 51 for surface mounting information.

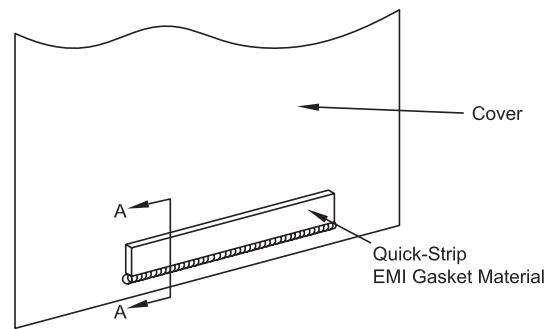
Gasket Dimensions			Quick-Strip Part Numbers (Quick-Shield Gasket)		
Elastomer Thickness (A)	Elastomer Width (B)	Spiral Diameter (D)	Standard Force*	Moderate Force	Low Force
.063"	.250"	.063"	NI-0422-A /P	NM-0422-A NC /P	NL-0422-A NC /P
	.375"		NI-0423-A /P	NM-0423-A NC /P	NL-0423-A NC /P
.094"	.250"	.094"	NI-0632-A /P	NM-0632-A NC /P	NL-0632-A NC /P
	.375"		NI-0633-A /P	NM-0633-A NC /P	NL-0633-A NC /P
.125"	.250"	.125"	NI-0842-A /P	NM-0842-A NC /P	NL-0842-A NC /P
	.375"		NI-0843-A /P	NM-0843-A NC /P	NL-0843-A NC /P
.187"	.250"	.187"	NI-1262-A /P	NM-1262-A NC /P	NL-1262-A NC /P

*All standard force gaskets come without a cord.

Custom sizes also available. Contact us for details.

Application Information

Quick-Strip can either be used in a continuous length along the perimeter of a chassis, or cut into small pieces and used at strategic intervals. When meeting relatively low shielding requirements such as FCC and European Community, you can often meet those requirements by using a few small pieces of gasket. This allows you to get the shielding you need, while minimizing both the gasket and labor costs. The best way to figure out how many segments you need is during the testing phase of the design. Place a few 1" pieces of gasket around the perimeter of your box. Run a baseline test and then add and subtract gasket pieces until you find the optimal number. This also allows you to upgrade by adding a few more pieces if you later need to meet more stringent requirements or the frequency of your internal electronics goes up in subsequent product modifications.



Materials

Spiral: Quick-Shield, Stainless steel. (See *Options* for other spiral materials).
Elastomer: Neoprene sponge with adhesive backing.

Shielding Quality

This gasket offers shielding quality greater than 95 dB in continuous lengths. Small pieces of Quick-Strip will offer less shielding; how much less will depend on the size of the gap between pieces and your particular design. Refer to page 45 for more complete performance data.

Compression Force

Quick-Strip gaskets come in three different resiliencies (as shown below). Optimal compression of the gasket is 25% of the diameter of the spiral. The compression forces shown are approximate.

Standard Force: ~30 pounds per linear inch compression.

Moderate Force: ~10 pounds per linear inch compression.

Low Force: ~1.5 pounds per linear inch compression.

Mounting

This gasket is surface mounted. See page 51 for detailed mounting information.

Available Options

Spiral Material

Specify a different spiral material by choosing the desired prefix from the table.

Example:
IWNM-0632-A NC /P
Quick Strip, RoHS Quick-Shield gasket
Moderate force
No cord

See page 56 for material compatibility information.

	Spira-Shield	Quick & Ultra Quick-Shield	Enduro-Shield		Flexi-Shield	
Spiral:	Tin Plated BC	St. Steel	Tin Plated BC	St. Steel	Tin Plated BC	St. Steel
Standard:	SS	NI (default)	SISS	SINI	ST	SQ
Tin/Lead or No Plating	MS LS	NM NL	SIMS SILS	SINM SINL	MT LT	MQ LQ
Tin/Lead or Edge Plating Option (T or E)	ESS EMS ELS	TNI TNM TNL	ESISS ESIMS ESILS	SITNI SITNM SITNL	EST EMT ELT	TSQ TMQ TLQ
RoHS Tin Plating Option (IW)	IWSS IWMS IWLS	IWNI IWNM IWNL	IWSISS IWSIMS IWSILS	IWSINI IWSINM IWSINL	IWST IWMT IWLTL	IWSQ IWMQ IWLQ
RoHS Edge Tin Plating Option (EIW)	EIWSS EIWMS EIWLS	--	EIWSISS EIWSIMS EIWSILS	--	EIWST EIWMT EIWLT	--

Cord Insert

To keep costs low, we recommend you omit the cord usually used in the spiral. However, if over-compression of the gasket is a concern or problem, remove the "NC" from the part number on the moderate and low force series gaskets.

Example: **NM-0632-A /P** will include cord.

All Standard Force gaskets come without cord (no NC required).

Special Elastomer

We recommend the use of neoprene sponge elastomer because it is the lowest cost of popular elastomers. Silicone sponge elastomer can also be specified as shown below. (For solid elastomers, please see the Spira-Strip gasket on page 19).

/C: Silicone sponge (Example: **NM-0632-A /C**)

Adhesive Backing

Neoprene sponge elastomers only come with pressure sensitive adhesive (PSA) backing. Silicone sponge elastomers can be ordered without adhesive backing by dropping the -A designation in the part number.

Example: **NM-0632 NC /P**

Ordering Information

Quick-Strip is sold by the foot and typically packaged in coils except in small quantities. It can also be ordered cut-to-length in specific sizes at a very low cost, or you can cut it yourself using a sharp pair of scissors.

