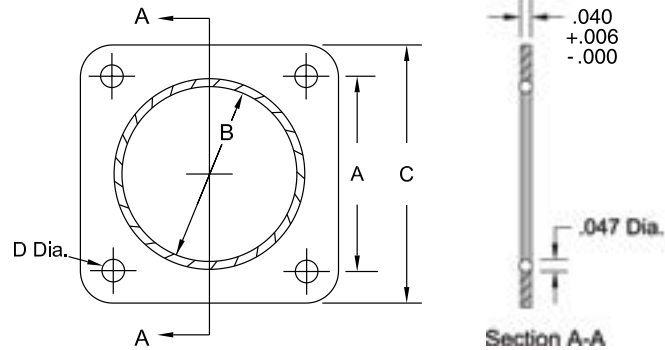


EMI & Environmental Connector-Seal (Back-Mount)



Spira's **EMI & Environmental** Connector-Seal gaskets are designed to provide an EMI and Environmental seal in flange-mounted connectors for the life of a system. They provide superior shielding quality and an excellent and durable environmental seal. (Also see *Front-Mount* version.)



Application Information

The EMI & Environmental Connector-Seal "ECS" gaskets are made by attaching a Spira-Shield O-Ring gasket to an environmental sealing frame. The frame consists of a stainless steel plate sealed on both sides with vulcanized silicone or fluorosilicone rubber elastomer. The metal plate eliminates cold flow of the environmental sealing elastomer and provides a very durable and reusable gasket.

The "ECS" EMI & Environmental Connector-Seal is designed primarily for back mounting. The shell sizes noted with an asterisk (*) can be used for both front and back mounting. See the front-mount "FMECS" version on the following pages.

Materials

See page 59 for material specifications.

Frame: Corrosion resistant stainless steel, between silicone or fluorosilicone rubber elastomer. Specify "/S" for Silicone or "/F" for Fluorosilicone.

Spiral: Spira-Shield Standard force tin/lead plated beryllium copper gasket.

Shielding Quality

Connector-Seal gaskets offer shielding quality from 116 to 152 dB. The level is dependent on contact surfaces and may vary depending on your specific application. Refer to Shielding Quality for more complete performance data.

Available Options

Plating

See page 60 for material compatibility information.

See table below for spiral plating options.

The gasket is electroplated, 90% tin, 10% lead (edges unplated).

Plating options can be specified by changing the prefix in the part number:

E: Edge tin/lead plating (includes edges) for high humidity or salt-fog environments

IW: RoHS compliant tin plating (Example: ECS-IW-21 /S)

EIW: RoHS compliant edge tin plating for high humidity or salt-fog

Frame

The default frame is stainless steel sealed on both sides by silicone or fluorosilicone rubber elastomer.

Specify frame and plating options by choosing the desired prefix from the table.

Frame	Elastomer	Tin/Lead Plated Gasket	RoHS Tin Plated Gasket	Edge Tin/Lead Plated Gasket	RoHS Edge Tin Plated Gasket
Elastomer over Stainless Steel	Silicone	ECS-T-__ /S	ECS-IW-__ /S	ECS-E-__ /S	ECS-EIW-__ /S
	Fluorosilicone	ECS-T-__ /F	ECS-IW-__ /F	ECS-E-__ /F	ECS-EIW-__ /F

Not all configurations are stock items. Contact us for availability.

